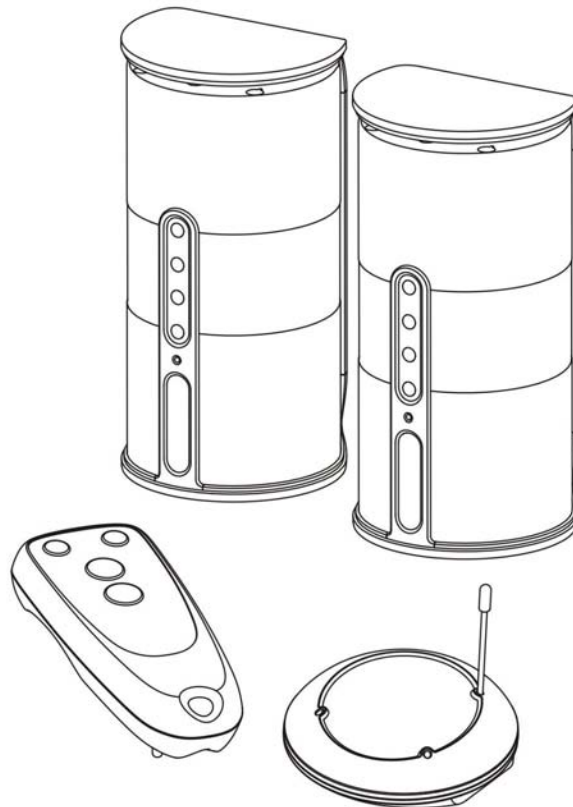


**CENTRIOS™**

**4015004**

**900MHz Digital Hybrid Wireless Outdoor Speakers**



**User's Manual**

## **INTRODUCTION**

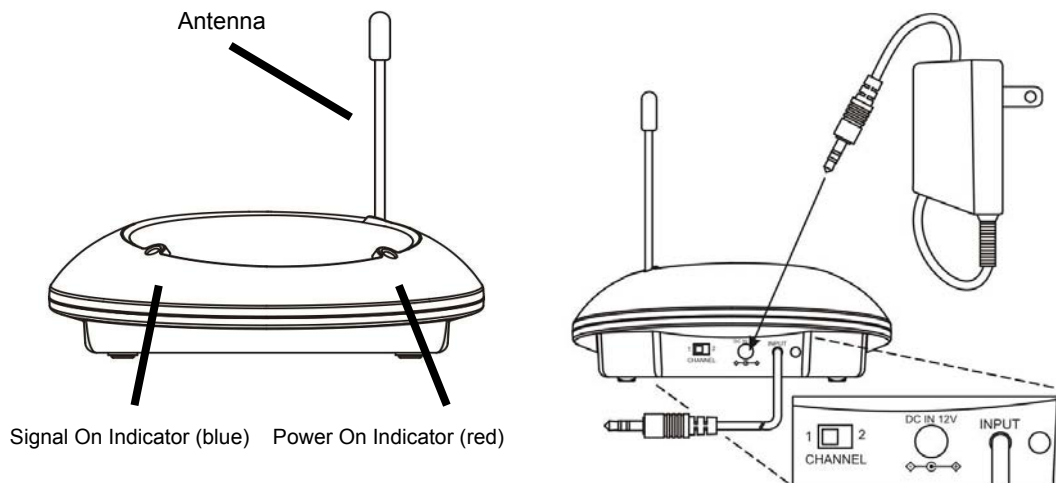
This 900 MHz digital hybrid wireless speaker system uses the latest wireless technology that enables you to enjoy music and TV sound anywhere inside or outside your home. You can simply connect the system to any audio source such as the Radio, TV, VCR, Hi-Fi and CD/MP3/VCD/DVD player. This system enables you to enjoy your music or other audio sounds in minutes without complicated wiring and installation with your Audio/Video equipments and rear channel amplifier.

## **FEATURES**

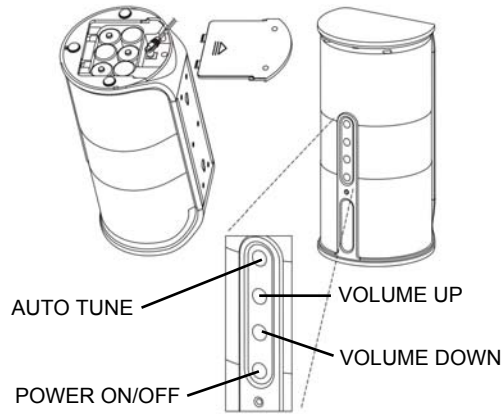
1. Weatherproof indoor and outdoor speakers.
2. Automatic Phase Lock Loop (PLL) scanning system on speaker receivers
3. Phase Lock Loop (PLL) transmission system on transmitter
4. 900 MHz Digital Hybrid RF technology speaker system.
5. RF technology lets you roam freely throughout your house and garden.
6. Operating distance up to 150 feet.
7. No line of sight limitation.
8. Virtually interference free audio quality.
9. Auto ON/OFF control.
10. Auto tuning function.
11. Remote control unit.
12. Wall-mountable.
13. 2-way speakers.

## **COMPONENT IDENTIFICATION**

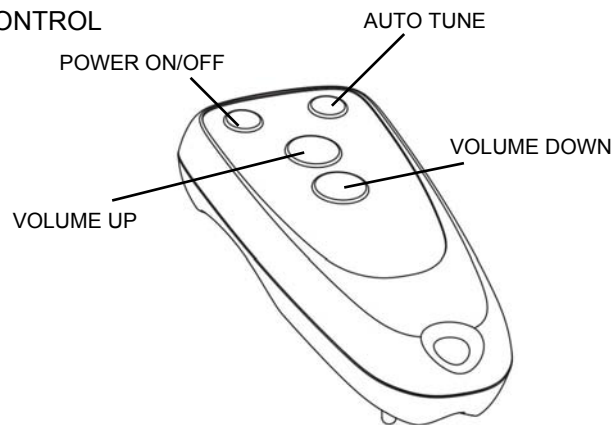
### **TRANSMITTER**



## SPEAKER RECEIVERS



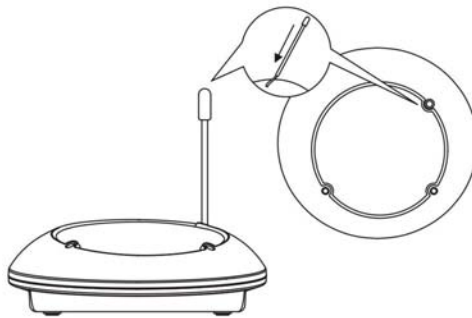
## REMOTE CONTROL



## **INSTALLATION**

### TRANSMITTER

1. Insert the antenna wire into the antenna tube.

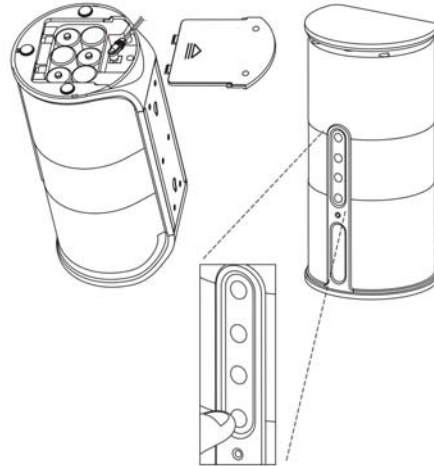


2. Connect the supplied AC/DC power adaptor into an electrical wall outlet.
3. Plug the AC/DC power adaptor into the DC jack located on the rear of the transmitter.
4. When the AC adaptor is plugged in, the red POWER LED illuminates. If the red POWER LED does not illuminate, make sure the adaptor is plugged in.
5. The rear of the transmitter has one audio cord that can be connected to the audio output jack of the TV, Monitor, VCR, Radio recorder, CD/MP3/VCD/DVD players or to the headphone or earphone jack with the connector provided.

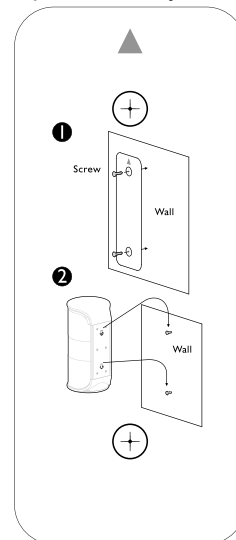
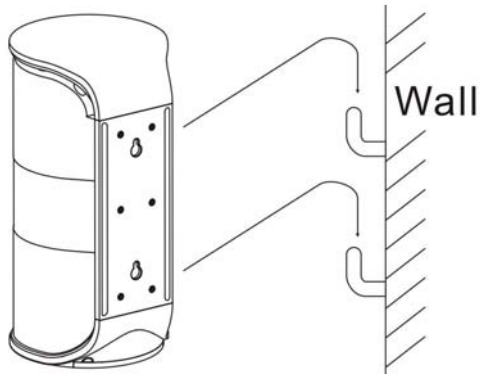
When the transmitter receives an audio signal, the blue SIGNAL LED and the red POWER LED will illuminate together. If the blue SIGNAL LED does not illuminate, ensure that the audio source is turned on.

### SPEAKER RECEIVERS

1. Insert 6 'C' size ALKALINE batteries into the battery compartment with correct polarity at the bottom of each speaker (batteries not included in the package) or connect the 9V power adapter to the DC input jack on the bottom of each speaker, then plug into the wall AC outlet.



2. Press On/Off button and turn the speakers ON. The POWER LED will light up in Blue. Switch off the speakers by pressing the ON/OFF button on the speakers or on the remote control unit, and the LED will turn off.
3. To suit the needs of different users, these speakers are designed for wall mounting. There are two holes at the back of each speaker for you to hang them on the wall. Screws and an instruction sheet are included inside the package. There are two holes on the instruction sheet, simply place the instruction sheet on the wall and drill the holes accordingly.



### REMOTE CONTROL UNIT

1. Remove the battery cover at the rear of the remote control unit and insert 2 "AAA" batteries (not included) into the battery compartment with the correct polarity.
2. Place back the cover and close the battery compartment.

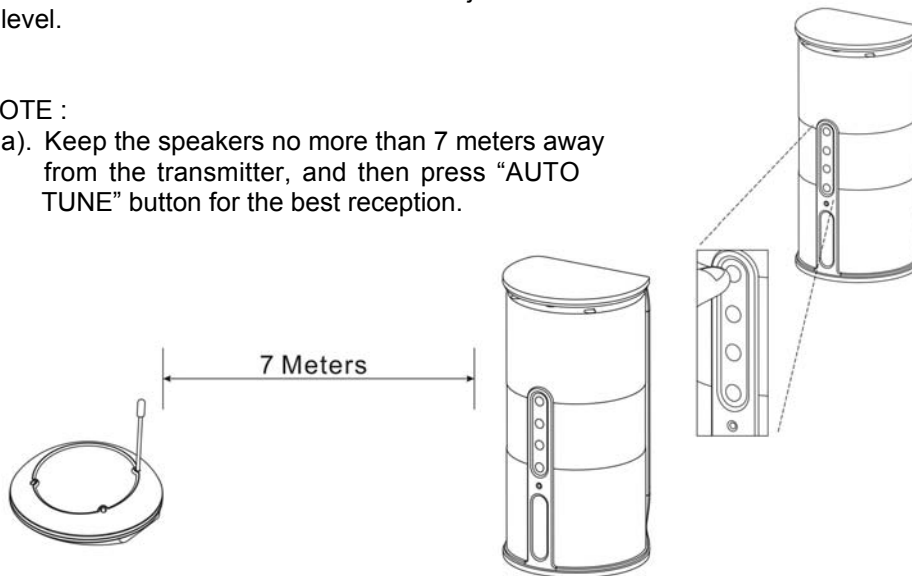
### **OPERATION**

1. Turn on the audio source (TV or audio component) to which the transmitter is connected with and the blue signal LED on the transmitter will light up.

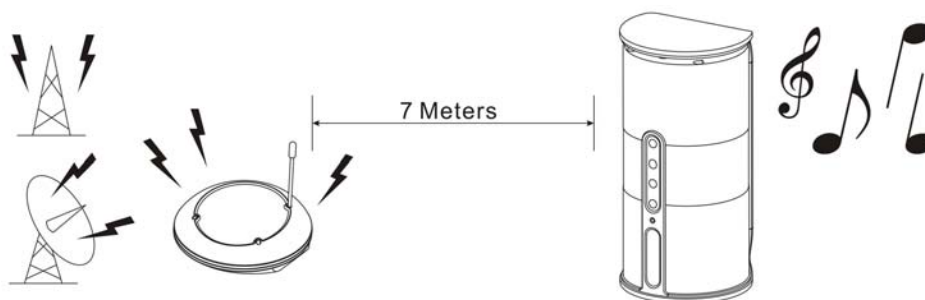
2. Select the channel 1 or 2 of the transmitter for best performance in your location.
3. Turn on the ON/OFF button on the speakers (the ON/OFF button on the remote control unit cannot be used as a primary device to switch on the speakers). Press the "AUTO TUNE" button to get the best tuning reception in the speakers. When the button is pressed, frequency tuning starts automatically and it stops when a signal is detected. Tuning process can also be activated by pressing the "AUTO TUNE" button on the remote control unit.
4. Volume can be adjusted up by pressing "+" button or down by pressing the button "-" to the desired listening level, or you can press the "+" button or "-" button" on the remote control unit to adjust the volume level.

**NOTE :**

- a). Keep the speakers no more than 7 meters away from the transmitter, and then press "AUTO TUNE" button for the best reception.



- b) If you experience interference, you can move your channel switch from one channel to the other channel (there are two channels for selection) on the transmitter, and then press the "AUTO-TUNE" button again.



5. You should now be able to place the speakers freely from room to room without disruption. If there is any disruption (signal cuts off or carries distortion), press the speaker's "AUTO TUNE" button to maximize the best reception.

If you experience interference from other components, switch on the channel control of transmitter, and then move the speakers to another location. You can re-adjust the tuning control by moving it to either channel 1 or 2 of the transmitter, then pressing "AUTO TUNE" button for best reception.

When transmitting / receiving over long distances, the signal from the system will become weaker.

#### 6. Switching Off

- a) The transmitter will cut off automatically if there is no signal for 4 minutes or if the signal is weak. This is for protection of the transmitter as well as a power saver.

In other words, if the signal comes back, the transmitter will work again automatically.

- b) Press the ON/OFF button on the unit to turn the speakers off and the LED light will also shut off.
- c) If you use the remote control unit to turn off the speakers, the speakers will be on stand-by mode for 5 minutes and the LED will change from blue to green. You can switch on the speakers again by using the remote control unit during the stand-by time. If there is no signal from the remote control unit in 5 minutes, the speakers will automatically power off.

#### **WARNING:**

**THE POWER ADAPTORS ARE FOR INDOOR USE ONLY.**

**This device must be used with the AC/DC adapters supplied in the package.**

#### **TROUBLE SHOOTING**

##### **NO SOUND**

- Ensure the AC/DC adaptor is fully inserted into the AC outlet and the power connection input on the transmitter.
- Ensure the speakers are switch ON.
- If the speaker's battery capacity is too low, replace with new batteries or connect the AC/DC adaptors to the speakers.
- Ensure the TV or audio component is ON.
- The volume of speakers is too low, adjust the volume to an appropriate level.

##### **DISTORTED**

- Press the "AUTO-TUNE" button on the speakers until matching the frequency of the transmitter.
- Change the position of the channel selector on the transmitter. You must then press the "AUTO TUNE" button on the speakers.
- Battery capacity is too low. Replace with the new battery.
- Ensure the volume level of speakers is adjusted properly.
- The speakers are too far away from the transmitter, move it closer.
- The input level of the audio signal is too low. Turn up the volume of the audio source equipment.

## **TECHNICAL SPECIFICATIONS**

Transmission Mode	:	UHF
Carrier Frequency	:	900 MHz Digital Hybrid
Operation Voltage	:	Transmitter, DC 12V 150mA Speakers, 6 X 'C' size Alkaline batteries or DC 9V 1A adaptor Remote Control Unit, 2 X 'AAA' size batteries
Frequency Response	:	40Hz – 12KHz
Distortion	:	1%
S/N Ratio	:	65dB (typical)
Operation Distance	:	Up to 150 feet
Speakers	:	2-way
Output Power	:	2 x 5Watts

## **FCC STATEMENT**

### **The FCC Wants You to Know**

This equipment has been tested and found to comply with the limits for a Class B digital device, pursuant to Part 15 of the FCC Rules. These limits are designed to provide reasonable protection against harmful interference in a residential installation. This equipment generates, uses and can radiate radio frequency energy and, if not installed and used in accordance with the instructions, may cause harmful interference to radio communications.

However, there is no guarantee that interference will not occur in a particular installation. If this equipment does cause harmful interference to radio or television reception, which can be determined by turning the equipment off and on, the user is encouraged to try to correct the interference by one or more of the following measures:

- Reorient or relocate the receiving antenna.
- Increase the separation between the equipment and receiver.
- Connect the equipment into an outlet on a circuit different from that to which the receiver is connected.
- Contact your local electronic store for help.

### **FCC Information**

This device complies with Part 15 of the FCC Rules. Operation is subject to the following two conditions:

- (1) this device may not cause harmful interference, and
- (2) this device must accept any interference received, including interference that may cause undesired operation.

**Warning:** Changes or modifications to this unit not expressly approved by the party responsible for compliance could void the user's authority to operate the equipment.

### **Operation is subject to the following two conditions:**

- (1) this device may not cause interference, and
- (2) this device must accept any interference, including interference that may cause undesired operation of the device.



## LIMITED WARRANTY

### Who is Providing This Warranty?

- Orbyx Electronics, LLC ("Orbyx"), as the distributor of this Centrios™ product (your "Product").

### What Does This Warranty Cover?

- This warranty covers defects in materials or workmanship in your Product under normal use and conditions.

### What is the Period of Coverage?

- This warranty covers your Product for 90 days from the original purchase date.

### Who is Covered?

- This warranty covers the original consumer purchaser. Coverage terminates if you sell or otherwise transfer your Product.

### What Will We Do To Correct Problems?

- We will repair your Product or replace your Product with a new or reconditioned equivalent product, at our option.

### How Do You Get Service?

- Call Orbyx TOLL FREE at 1-866-363-3059 for instructions for obtaining warranty service from Orbyx's authorized service providers.
- Or, return your Product directly to the retail store from which you purchased the Product.
- When you obtain service for your Product, you must provide a purchase receipt (or other proof of the original purchase date) and a description of the defect(s).

### What Does This Warranty Not Cover?

- This warranty DOES NOT COVER:
- damage due to misuse, abuse, alteration, unauthorized repair, or accident (such as improper electrical current);
- damage due to "acts of God" (such as lightning) or other contingencies beyond our control;
- cosmetic damage;
- externally generated static, signal reception or antenna problems not caused by your Product; or batteries.
- This warranty also DOES NOT COVER, and in no case will we be liable for, any incidental damages (such as transportation costs to and from an authorized service provider, or loss of time) or consequential damages (such as costs of repairing or replacing other property which is damaged, including tapes, discs, speakers not included with your Product or other accessories, or external electrical systems) resulting from the use of your Product. Some states do not allow the exclusion or limitation of incidental or consequential damages, so the above limitation or exclusion may not apply to you.
- Defacing the serial number, or using your Product for commercial or institutional purposes, voids this warranty.

### Are There Other Warranties?

- There are no express warranties other than those expressed herein. Neither the sales personnel nor any other person is authorized to make any other warranties or to extend the duration of any warranties.
- ANY IMPLIED WARRANTIES, INCLUDING ANY IMPLIED WARRANTY OF MERCHANTABILITY (AN UNWRITTEN WARRANTY THAT A PRODUCT IS FIT FOR ORDINARY USE), ARE LIMITED TO 90 DAYS. Some states do not allow limitations on how long an implied warranty lasts, so the above limitation may not apply to you.

### How Does State Law Apply?

- This warranty gives you specific legal rights, and you may also have other rights which vary from state to state.



## LIMITED WARRANTY

### ORBYX ELECTRONICS WARRANTY

ORBYX Electronics warrants that this product will be free from defects in materials and workmanship for a period of ninety (90) days from the date of purchase. Within this period, simply take the product and your proof of purchase to any ORBYX Electronics store or dealer and the product will be repaired without charge for parts and labour. ORBYX Electronics reserves the right to charge for transportation. Any product which has been subject to misuse or accidental damage is excluded from this warranty.

This warranty is only applicable to a product purchased through ORBYX Electronics' company owned stores and dealers and to a product that is presented for repair in a country where ORBYX Electronics offers the product for sale. While this warranty does not confer any legal rights other than those set out above, you may have additional statutory rights which will vary under the laws of the various countries, states, province and other governmental entities in which ORBYX Electronics operates. This warranty is subject to all statutory rights you may have in the country of purchase.

Distributed exclusively in the U.S. by  
Orbyx Electronics, LLC  
501 South Cheryl Lane,  
Walnut, CA 91789

Imported in Canada for/Importé au Canada pour  
Orbyx Electronics,  
Concord, Canada, L4K 4M3

Manufactured in China

For product support please contact [www.orbyxelectronics.com](http://www.orbyxelectronics.com)  
or 1-866-363-3059



Limited Warranty/Garantie Limitée  
U.S.A & Canada  
© 2005 ORBYX Electronics. All Rights Reserved.

