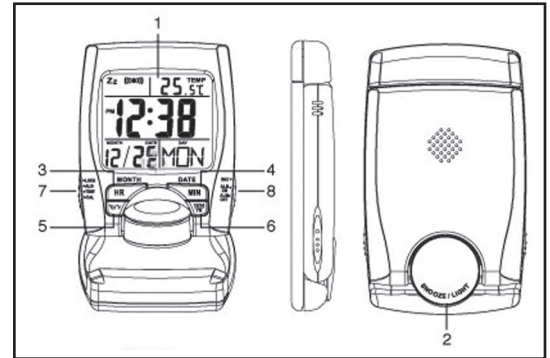


POWER SOURCE

This unit uses one “AAA” battery.

LOCATION OF CONTROLS

1. **TIME/ALARM/CALENDAR/TEMP** LCD Display
2. **ALARM STOP/LIGHT/SNOOZE** Button
3. **HR** (Hour) / **MONTH** Button
4. **MIN** (Minute) / **DATE** Button
5. **°F/°C** Button
6. **12HR/24HR/YEAR** Button
7. **LOCK/ALARM SET/TIME SET/ CALENDAR SET** Switch
8. **SNOOZE/ALARM ON/ALARM OFF** Switch



BATTERY INSTALLATION

Open the battery door at the bottom of the clock and insert the battery by following the correct polarity signs inside the battery compartment.

OPENING THE FLIP COVER

Open the flip cover and turn clockwise to open.

SETTING THE CALENDAR

Slide to **CALENDAR**. Press the **MONTH**, **DATE** or **YEAR** button to set the calendar.

NOTE: Incorrect calendar will be automatically adjusted. (i.e. February 30 will be adjusted to February 1)

SETTING TIME

Slide to **TIME SET**, press the **HR** or **MIN** button to set the desired time.

SETTING THE ALARM

- Slide to the **ALM SET** position, the “**ALARM**” sign will appear on the display. Press **HR** or **MIN** button to set your desired alarm time.
- Slide to the **ALARM ON** position, the “**ALARM**” sign will appear on the display. The alarm function is activated.
- Slide to **SNOOZE** position to activate the Snooze Alarm.

“LOCK” FUNCTION

- After the time and alarm have been set, slide to the **LOCK** position to protect any changes caused by touch of buttons.

USING THE SNOOZE ALARM

Slide to **SNOOZE** position, the **Zz** symbol will appear on the display indicating that the **SNOOZE** function has been activated. Once the alarm starts to ring, you can activate the **SNOOZE** by pressing the **SNOOZE/LIGHT** button. The alarm will pause for 5 minutes and then it will start to ring again. To completely stop the alarm, slide the **ALARM SWITCH** to the **OFF** position (Alarm Duration: 1 minute).

12HR / 24HR INTERNATIONAL TIME DISPLAY

- Simply press the **12HR / 24HR** button to choose your desired format.

SELECTING °F OR °C TEMPERATURE READING

Press **°F / °C** button to choose your desired temperature reading.

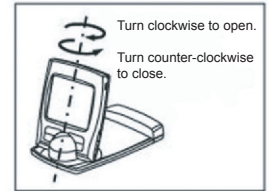
USING THE BACKLIGHT

You may check the time anytime in the dark by simply pressing the **SNOOZE/LIGHT** button once. The display will light up with a soft glow that lasts for approximately 5 seconds. You can read the time easily and clearly.

NOTE: Frequent use of this feature will affect battery life.

CARE OF YOUR CLOCK

- Avoid exposing your clock to extreme temperatures, water or severe shock.
- Avoid contact with any corrosive materials such as perfume, alcohol, or cleaning agents.





Who is Providing This Warranty?

- Orbyx Electronics, LLC (“Orbyx”), as the distributor of this Nexxtech™ product (your “Product”).

What Does This Warranty Cover?

- This warranty covers defects in materials or workmanship in your Product under normal use and conditions.

What is the Period of Coverage?

- This warranty covers your Product for 90 days from the original purchase date.

Who Is Covered?

- This warranty covers the original consumer purchaser. Coverage terminates if you sell or otherwise transfer your Product.

What Will We Do To Correct Problems?

- We will repair your Product or replace your Product with a new or reconditioned equivalent product, at our option.

How Do You Get Service?

- Call Orbyx TOLL FREE at 1-866-363-3059 for instructions for obtaining warranty service from Orbyx’s authorized service providers.
- Or, return your Product directly to the retail store from which you purchased the Product.
- When you obtain service for your Product, you must provide a purchase receipt (or other proof of the original purchase date) and a description of the defect(s).

What Does This Warranty Not Cover?

- This warranty DOES NOT COVER:
- damage due to misuse, abuse, alteration, unauthorized repair, or accident (such as improper electrical current);
- damage due to “acts of God” (such as lightning) or other contingencies beyond our control;
- cosmetic damage;
- externally generated static, signal reception or antenna problems not caused by your Product; or batteries.
- This warranty also DOES NOT COVER, and in no case will we be liable for, any incidental damages (such as transportation costs to and from an authorized service provider, or loss of time) or consequential damages (such as costs of repairing or replacing other property which is damaged, including tapes, discs, speakers not included with your Product or other accessories, or external electrical systems) resulting from the use of your Product. Some states do not allow the exclusion or limitation of incidental or consequential damages, so the above limitation or exclusion may not apply to you.
- Defacing the serial number, or using your Product for commercial or institutional purposes, voids this warranty.

Are There Other Warranties?

- There are no express warranties other than those expressed herein. Neither the sales personnel nor any other person is authorized to make any other warranties or to extend the duration of any warranties.
- ANY IMPLIED WARRANTIES, INCLUDING ANY IMPLIED WARRANTY OF MERCHANTABILITY (AN UNWRITTEN WARRANTY THAT A PRODUCT IS FIT FOR ORDINARY USE), ARE LIMITED TO 90 DAYS. Some states do not allow limitations on how long an implied warranty lasts, so the above limitation may not apply to you.

How Does State Law Apply?

- This warranty gives you specific legal rights, and you may also have other rights which vary from state to state.



ORBYX ELECTRONICS WARRANTY

ORBYX Electronics warrants that this product will be free from defects in materials and workmanship for a period of ninety (90) days from the date of purchase. Within this period, simply take the product and your proof of purchase to any ORBYX Electronics store or dealer and the product will be repaired without charge for parts and labour. ORBYX Electronics reserves the right to charge for transportation. Any product which has been subject to misuse or accidental damage is excluded from this warranty.

This warranty is only applicable to a product purchased through ORBYX Electronics’ company owned stores and dealers and to a product that is presented for repair in a country where ORBYX Electronics offers the product for sale. While this warranty does not confer any legal rights other than those set out above, you may have additional statutory rights which will vary under the laws of the various countries, states, province and other governmental entities in which ORBYX Electronics operates. This warranty is subject to all statutory rights you may have in the country of purchase.

Distributed exclusively in the U.S. by

Orbyx Electronics, LLC
501 South Cheryl Lane,
Walnut, CA 91789

Imported in Canada for/Importé au Canada pour
Orbyx Electronics,
Concord, Canada, L4K 4M3

Manufactured in China

For product support please contact www.orbyxelectronics.com
or 1-866-363-3059

